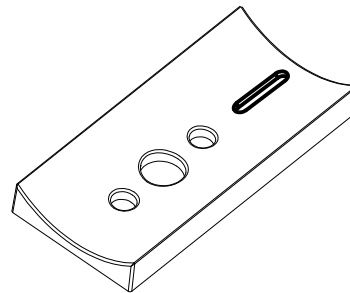
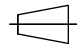

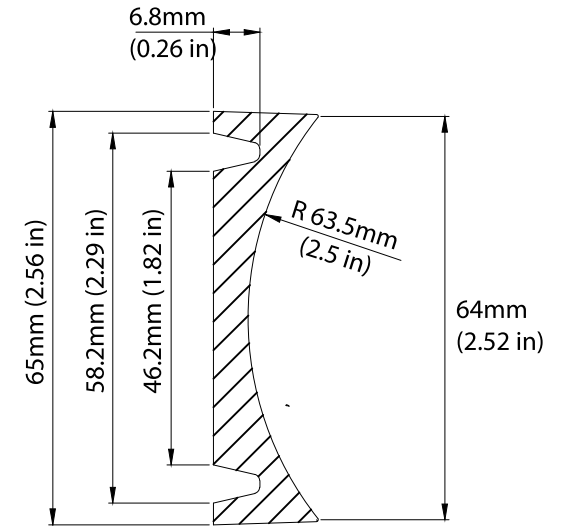
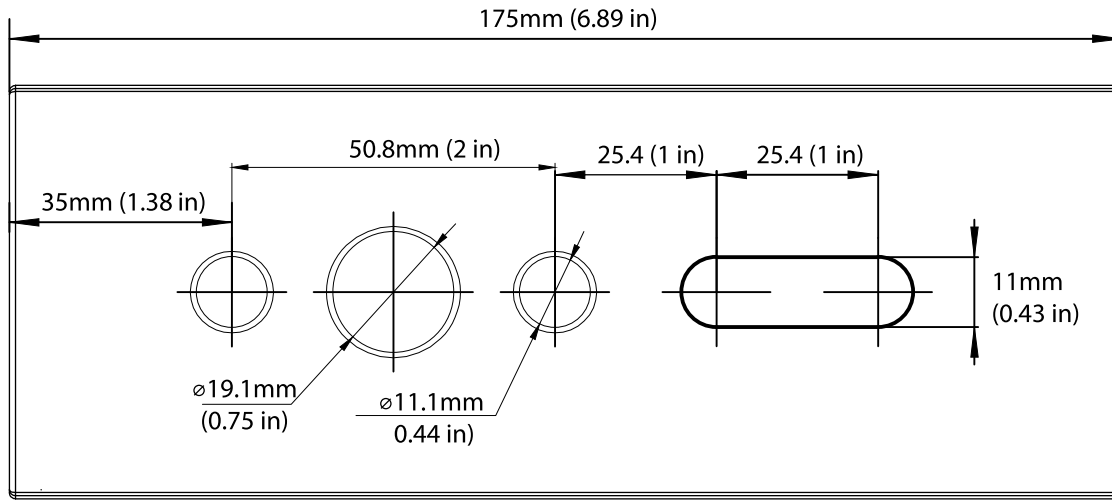


SAL installation Base (4 inch)

Product Dimensions

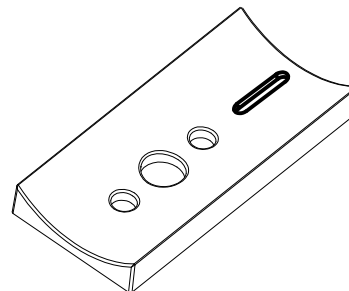


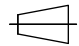

 
SCALE : 1:1
Measure Tolerance is: ±0.15 mm, ±0.01in
Material: Aluminium

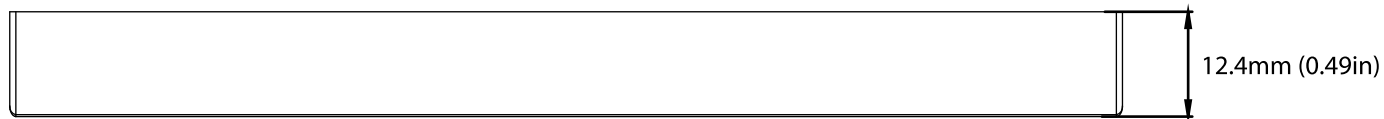
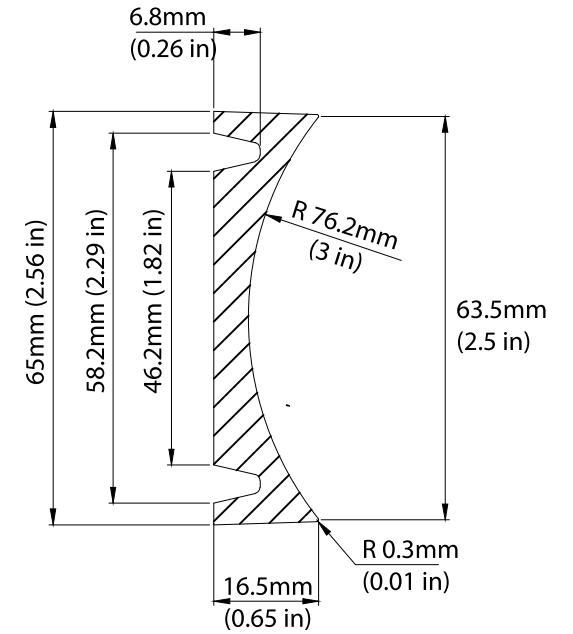
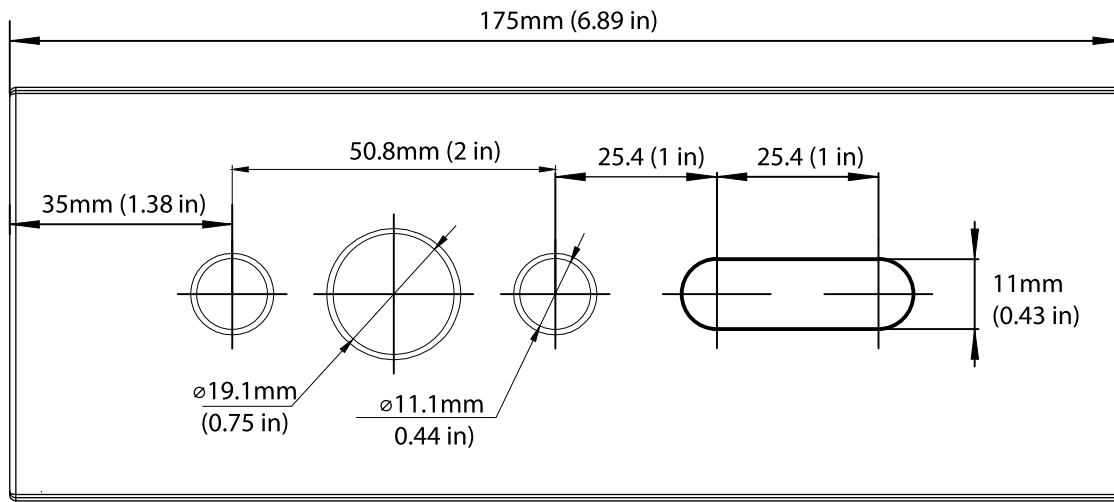


SAL installation Base (5 inch)

Product Dimensions

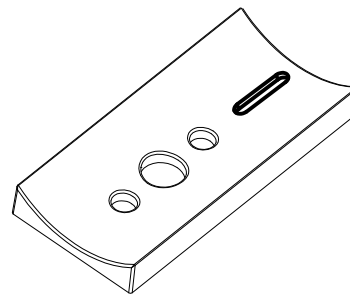


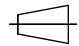

 
SCALE : 1:1
Measure Tolerance is: ±0.15 mm, ±0.01in
Material: Aluminium



SAL installation Base (6 inch)

Product Dimensions



 
SCALE : 1:1
Measure Tolerance is: ±0.15 mm, ±0.01in
Material: Aluminium